



**Recruitment Services to the Technical,
Rail and Construction Industry**



“Providing a sustainable workforce for like-minded organisations”

Oracle Global

We are an owner operated recruitment business providing recruitment and employment across various vertical sectors to the business community and specialising in resourcing staff for clients.

Although Oracle Global is a relatively new company it combines over 60 years of management experience within the technical recruitment and contracting industry.

Oracle Global believes our present – and future – success is underpinned by the value we attach to our people and the way we work with our clients & candidates.

Market Specialist

- ❖ Telecommunications
- ❖ Facilities Management
- ❖ Building Services
- ❖ Construction
- ❖ Engineering
- ❖ Industrial/Commercial
- ❖ Trades
- ❖ LUL/Network Rail
- ❖ Rail/Rolling Stock
- ❖ Safety Critical and Labour

Recruitment Services

Temporary & Permanent Staff

Temporary staff can provide a convenient and cost effective solution and can help during sudden requirements of staff. We manage the administration and payroll responsibilities and directly supervise and control the labour.

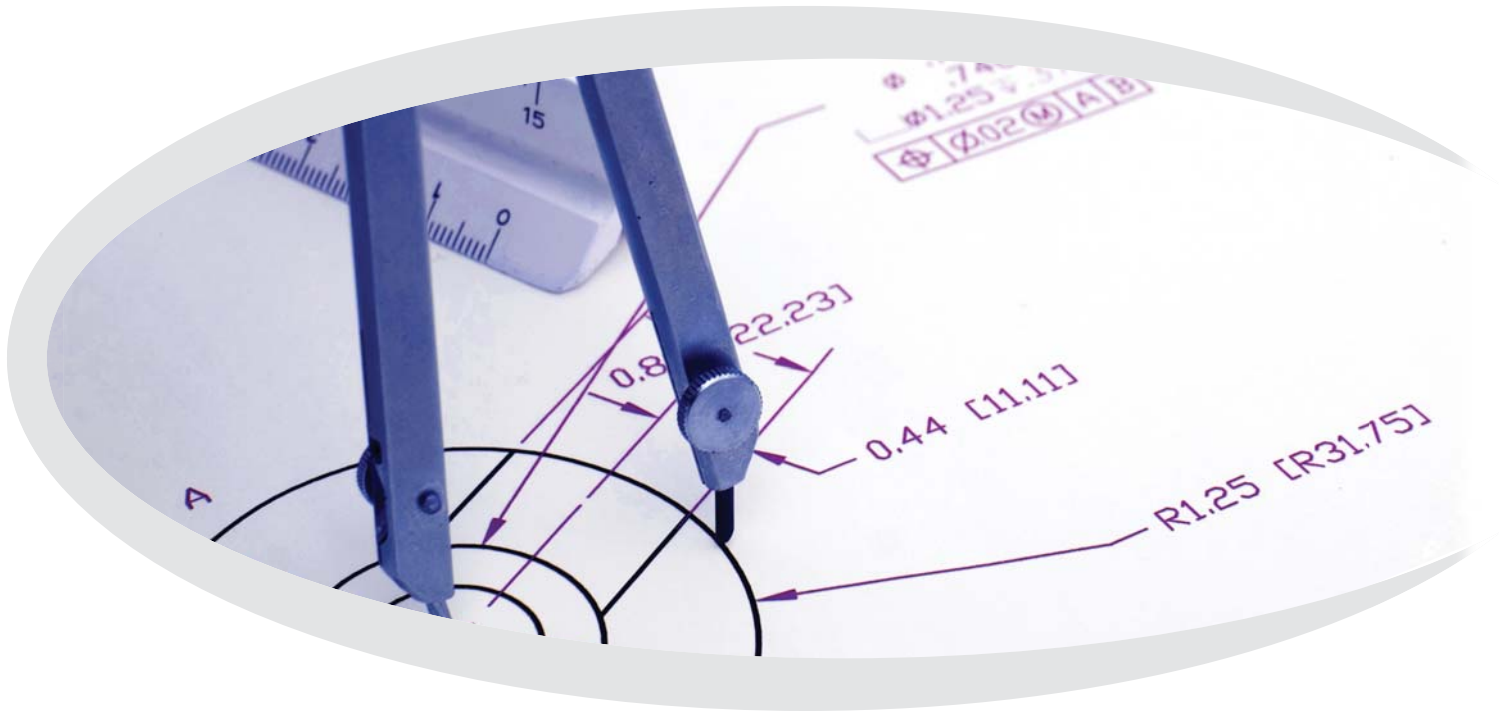
Permanent staff recruitment is key to the development of any business. That is why we train our consultants in the recruitment process to REC standard. This ensures the highest possible level of service can be provided.

Executive Search & Selection

Oracle offer a tailor made service that is provided by our experienced consultants. They deal with everything from media and advertising strategy to selection and placement. We provide a comprehensive interview process including pre-interviews, psychometric testing and profiling.

Fully Managed Labour Supply Package

Oracle offer a fully managed on site service, when warranted by numbers. Included in the service are a dedicated, on or off-site account manager, charge hands, first aiders, management of all WTD's, provision of time management systems (i.e. hand scanners), training, provision of PPE.



Engineering

Our team of consultants have built strong relationships with a number of leading engineering companies and focus on fulfilling client needs whilst supporting candidates through the recruitment process.

We provide permanent, contract and temporary staff solutions at operational, technical, management and director level and our scope of expertise covers the Airports, Distribution, Electronics, Energy, FMCG, Packaging and Waste Management Sectors.

Our recruitment services cover the supply of skills across the full lifecycle of projects/product development, encompassing design, installation, commissioning, operation and maintenance.

Vacancies we've filled recently include:

- ❖ Manufacturing Managers
- ❖ Maintenance Managers
- ❖ Engineering Managers
- ❖ Production Managers
- ❖ Shift/Team Leaders
- ❖ Project Managers
- ❖ Design Managers
- ❖ Project Engineers
- ❖ Design Engineers
- ❖ Electrical/Mechanical Engineers
- ❖ Electrical/Mechanical Fitters
- ❖ PLC/Controls Engineers
- ❖ Technical Operators
- ❖ Health, Safety and Quality
- ❖ Lift & Crane Engineer



Oracle Global Resourcing Ltd | Rivington House, 82 Great Eastern Street, London, EC2A 3JF
Tel: 0871 200 0005 | **Fax:** 0871 200 0006 | **Email:** info@oracleglobal.com | **Web:** www.oracleglobal.com

Registered in England and Wales: 5248668

